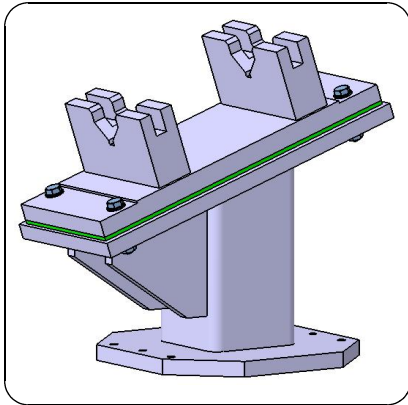


The CAD/CAM Partnership

The leading independent CATIA specialist in the UK

ccDrawBOM.catvbs



Item	PartNo.	Description	Qty
1	P123AB0020-A	PEDESTAL FABRICATION - FOOT PLATE	1
2	P123AB0020-C	PEDESTAL FABRICATION - TOP PLATE	1
3	P123AB0020-B	PEDESTAL FABRICATION - UPRIGHT	1
4	P123AB0020-D	PEDESTAL FABRICATION - GUSSET	2
6	P123FX0045	M12 HEX NUT	4
5	P123FX0015	M12x65mm HEX BOLT	4
4	P123FX0025	M12 WASHER	8
3	P123AB0030	5MM SHIM/SPACER PLATE	1
2	P123AB0020	PEDESTAL FABRICATION	1
1	P123AB0010	BASE FABRICATION	1
Item	PartNo.	Description	Qty

- ★ An extraordinarily flexible macro to generate Bill of Materials tables for drawings...
- ★ At least one CATDrawing document for the BOM must be open, and, if the current document, should have a generated first View - which can references either a CATPart or a CATProduct document

Alternatively, any CATPart or CATProduct assembly (as the current document) can be used to generate a BOM

- ★ A CATPart assembly must have components as Bodies, renamed in the format: *PartNumber delimitingCharacter Description*, (for example: *PN1234-Bolt M10x65*)
A Body PartNumber of less than 3 characters is prefixed in the table by the PartNumber of the parent Part

- ★ For a CATProduct assembly, there is a choice of reporting levels...



(and if **No** is selected, then...)



- ★ The table column numbers and headings (apart from column 1) are parameterised, and can therefore be in any required sequence, for example: *Item*, *Remarks*, *Qty* and *PartNo.*
- ★ The table can be generated either top to bottom, or vice-versa, as illustrated above
- ★ This macro can be ammended (with some restrictions) to process documents from PDM systems, where the CATDrawing, CATProduct and CATPart identifiers may not be present